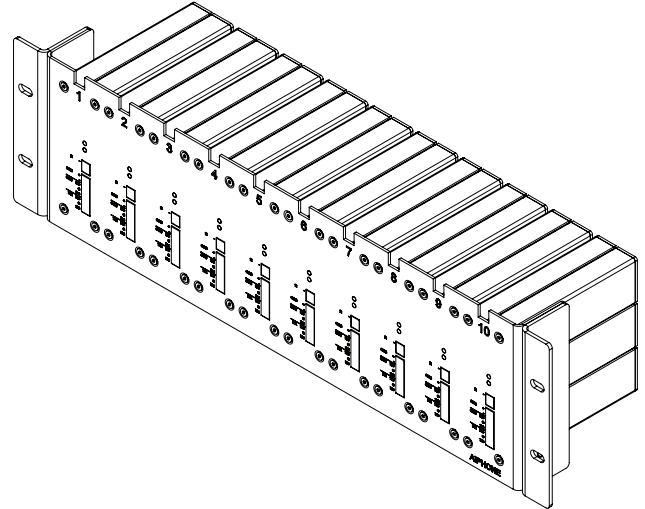
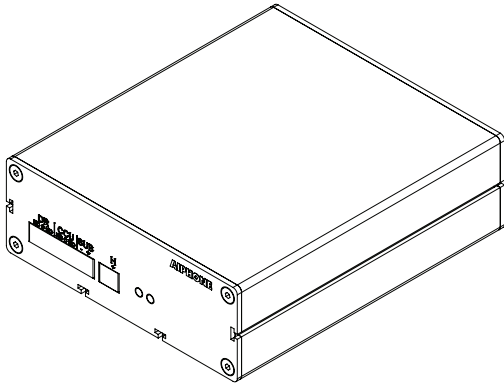


IX-1AS, IX-10AS

LE/NE Sub Station Adaptor for IX Series



DESCRIPTION:

The IX-1AS and IX-10AS are network adaptors that allow an LEF or NEM series sub station to work with the IX Series intercom. The IX-1AS is intended for a single sub station and the IX-10AS supports up to 10 sub stations. The IX-1AS and each station port on the IX-10AS plugs directly into a PoE network connection using a CAT5e/6 cable. The LE/NE sub station wires into the adaptor input using a 2 or 3 conductor cable, depending on the sub station. Each adaptor port has two dry contact outputs, typically used for camera call up and door release.

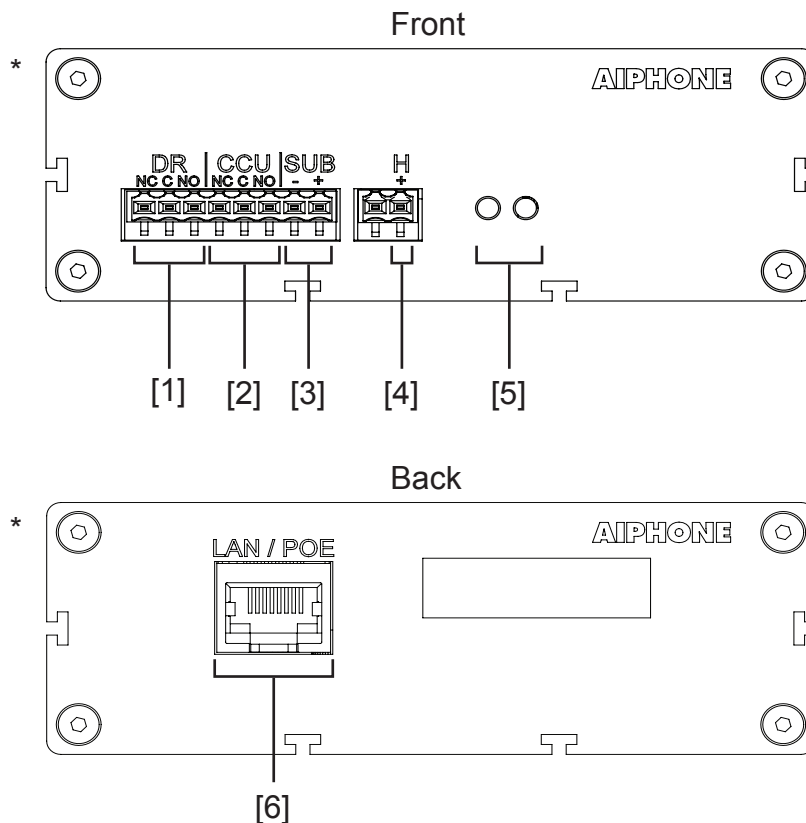
FEATURES:

- Compatible with all LE sub stations
- Compatible with all NE sub stations
- Form C dry contact closure for door release (24V AC/DC, 500mA)
- Form C dry contact closure for camera call up (24V AC/DC, 500mA)
- Adjustable volume level via programming
- 802.3af PoE compliant
- Din rail mounting, IX-1AS only
- Rack mounting, IX-10AS only (19" EIA, 3U)

IX-1AS, IX-10AS

LE/NE Sub Station Adaptor for IX Series

FEATURE CALL-OUT:



FEATURE CALL-OUT DEFINITIONS:

- [1] Door Release Contacts (NC, C, NO)
- [2] Camera Call Up Contacts (NC, C, NO)
- [3] Sub Station Connection
- [4] H Line Connection (NE-NVP-2DC/A only)
- [5] Status LEDs
Green = Standby / Normal Operation
Red = Reboot
- [6] CAT5e/6 Network Connection (PoE only)

* IX-1AS is shown for Call-Outs. The IX-10AS is 10 IX-1AS adaptors mounted in a rack mount enclosure. Connections are the same.

SPECIFICATIONS:

Power Source:	PoE (IEEE 802.3af)
Current Consumption:	Standby: 35mA Max: 70mA
Door Release Relay:	24V AC/DC 500mA
Camera Call Up Relay:	24V AC/DC 500mA
Communication:	Hands-free half duplex
LAN:	Ethernet (10BASE-T, 100BASE-TX)
Audio Codec:	G.711
Protocols:	IPv4, TCP, UDP, SIP, HTTP, RTP, RTCP, IGMP, DHCP
Operating Temp:	32°F ~ 122°F (0°C ~ 50°C)
Dimensions (H, W, D):	
IX-1AS:	1-1/2" x 4-1/4" x 4-15/16"
IX-10AS (19" EIA Rack 3U):	5-1/4" x 16-3/4" x 4-15/16"